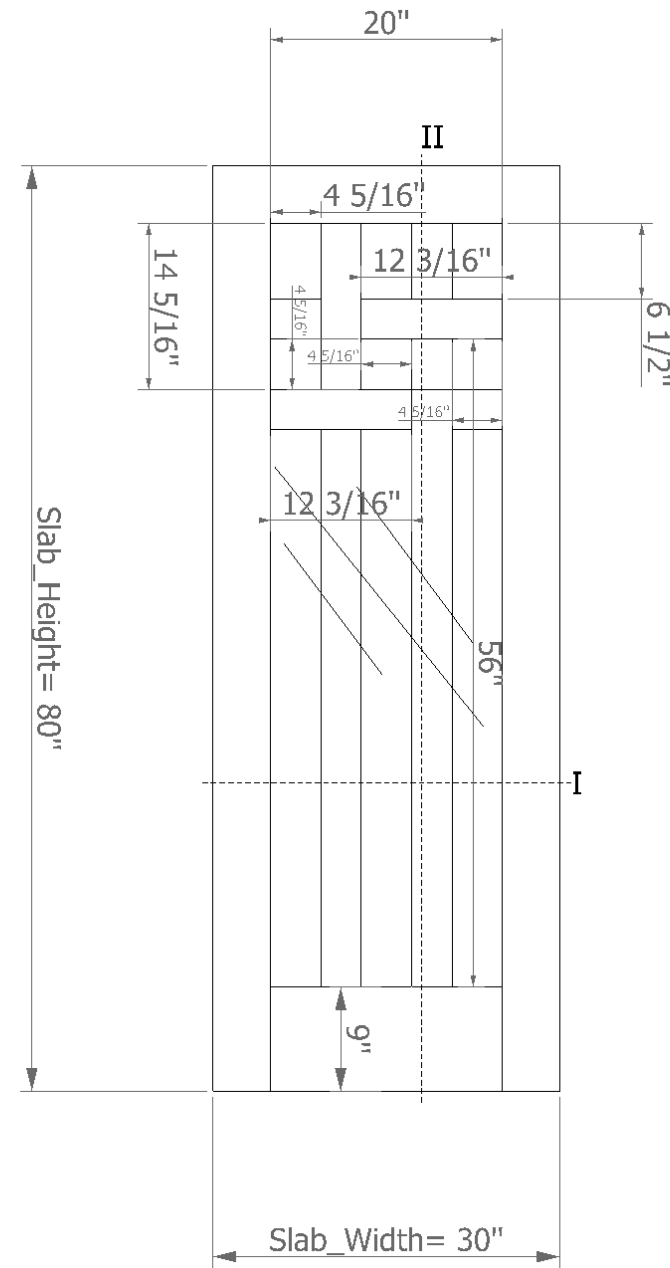
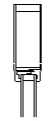


Slab+Machining

HORIZONTAL CROSS SECTION (I)



II III



Exterior view



Slab+Machining

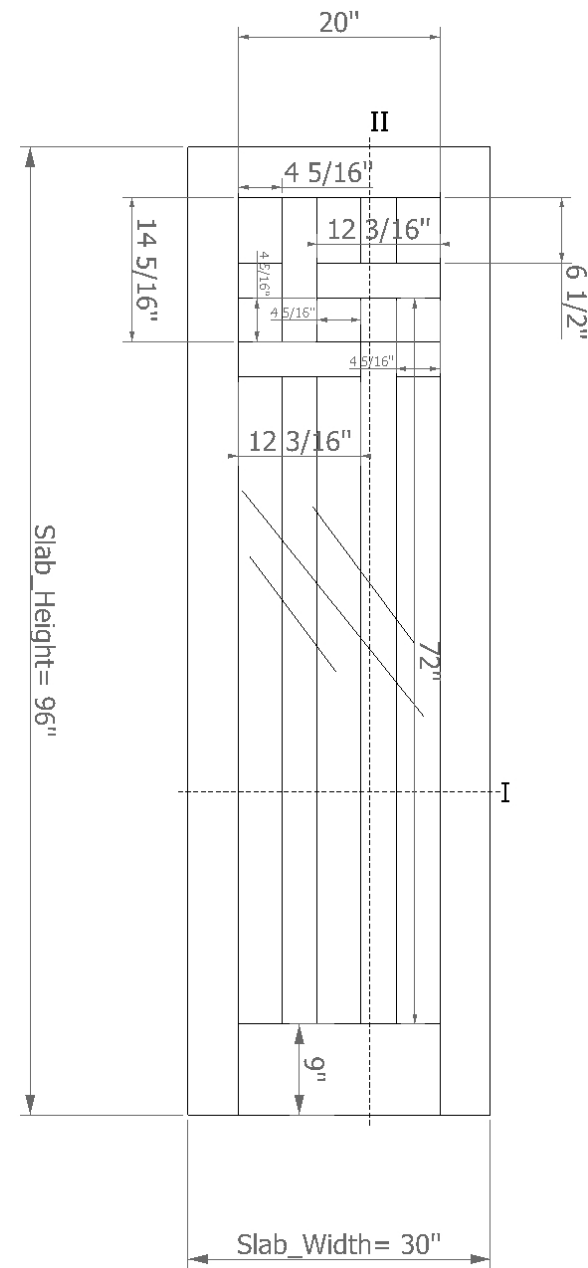
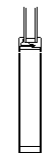
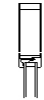
11/25/2022 4:58:46 PM	
Project Number:	xxxx
CLIENT	xxxx
SKU	OCULUS
Unit Qty:	1
Glass Divider	
Glass Thickness	5/8" Insulated
Glass Pattern	xxxx
Finish	Unfinish
	xxxx
Revision	ORIGINAL
Tolerance +/- 1/4 "	

Customer Signature

HORIZONTAL CROSS SECTION (I)



II III



Exterior view



Slab+Machining

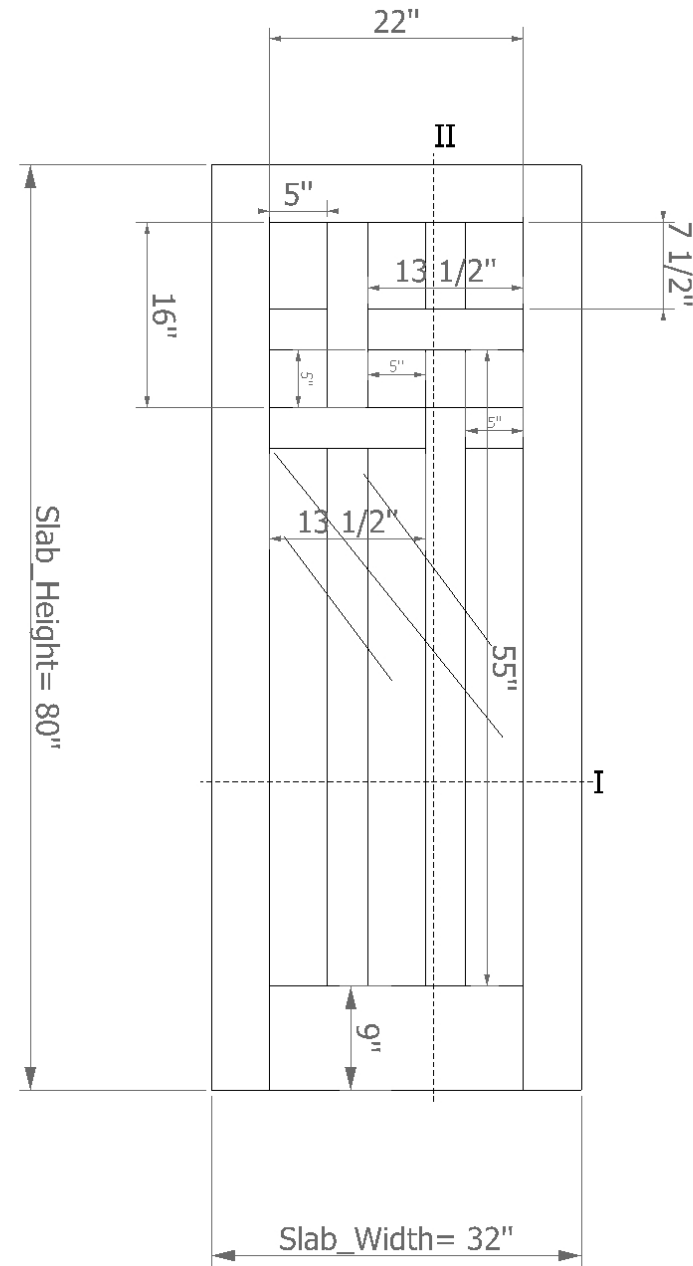
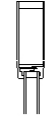
11/25/2022 4:58:46 PM	
Project Number:	xxxx
CLIENT	xxxx
SKU	OCULUS
Unit Qty:	1
Glass Divider	
Glass Thickness	5/8" Insulated
Glass Pattern	xxxx
Finish	Unfinish
	xxxx
Revision	ORIGINAL
Tolerance +/- 1/4 "	

Customer Signature

HORIZONTAL CROSS SECTION (I)



II III



Exterior view



Slab+Machining

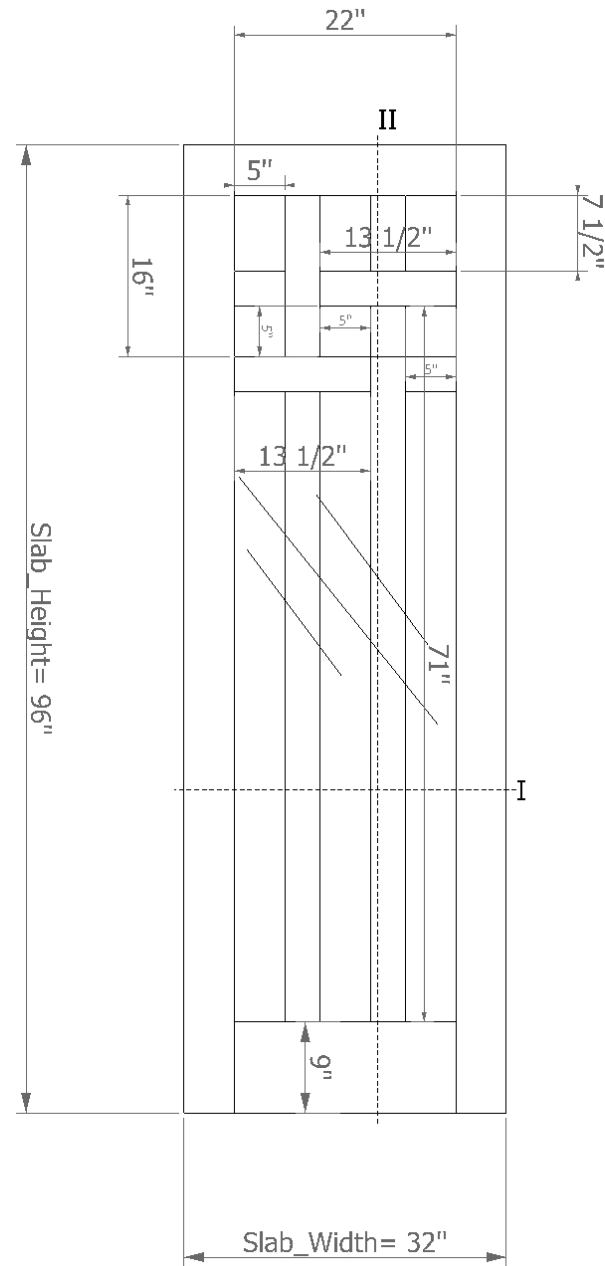
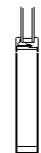
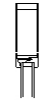
11/25/2022 4:58:46 PM	
Project Number:	xxxx
CLIENT	xxxx
SKU	OCULUS
Unit Qty:	1
Glass Divider	
Glass Thickness	5/8" Insulated
Glass Pattern	xxxx
Finish	Unfinish
	xxxx
Revision	ORIGINAL
Tolerance +/- 1/4 "	

Customer Signature

HORIZONTAL CROSS SECTION (I)



II III



Exterior view



Slab+Machining

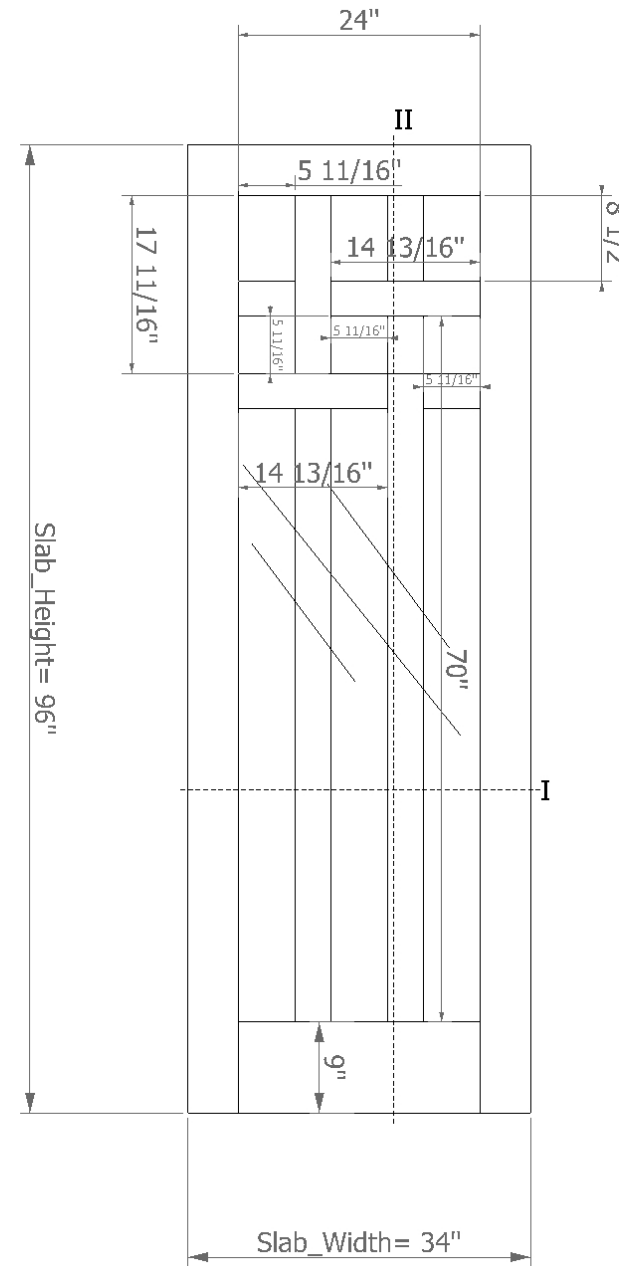
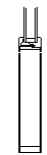
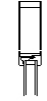
11/25/2022 4:58:46 PM	
Project Number:	xxxx
CLIENT	xxxx
SKU	OCULUS
Unit Qty:	1
Glass Divider	
Glass Thickness	5/8" Insulated
Glass Pattern	xxxx
Finish	Unfinish
	xxxx
Revision	ORIGINAL
Tolerance +/- 1/4 "	

Customer Signature

HORIZONTAL CROSS SECTION (I)



II III



Exterior view



Slab+Machining

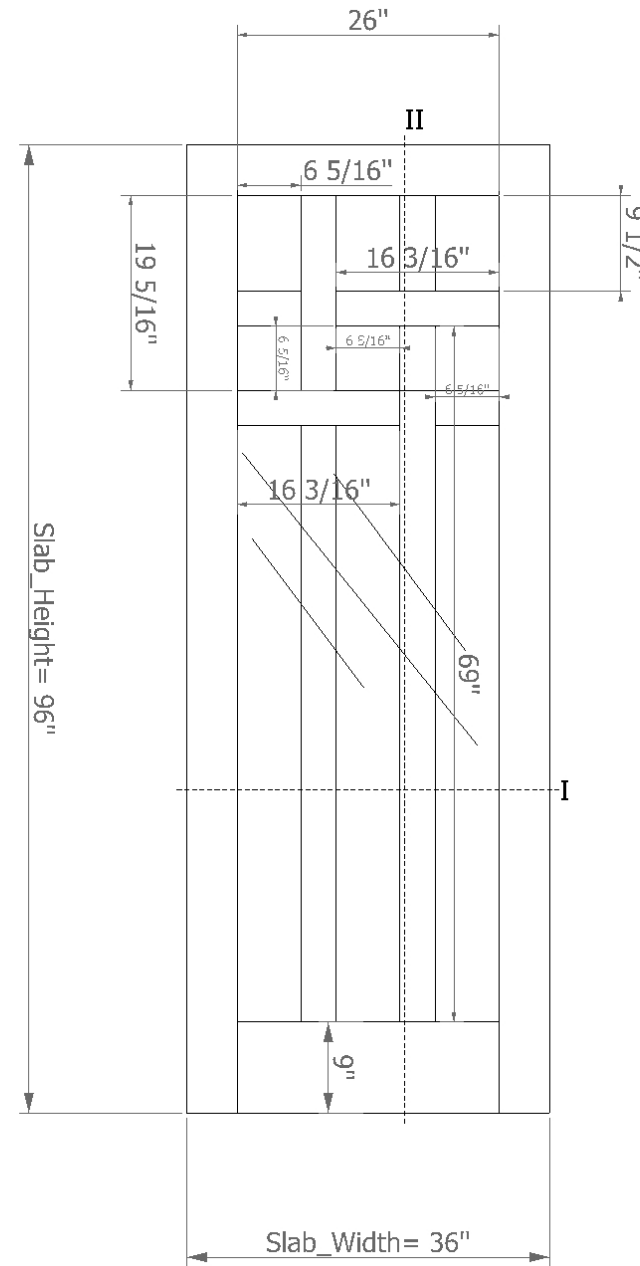
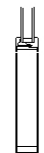
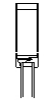
11/25/2022 4:58:46 PM	
Project Number:	xxxx
CLIENT	xxxx
SKU	OCULUS
Unit Qty:	1
Glass Divider	
Glass Thickness	5/8" Insulated
Glass Pattern	xxxx
Finish	Unfinish
	xxxx
Revision	ORIGINAL
Tolerance +/- 1/4 "	

Customer Signature

HORIZONTAL CROSS SECTION (I)



II III



Exterior view



Slab+Machining

11/25/2022 4:58:46 PM	
Project Number:	xxxx
CLIENT	xxxx
SKU	OCULUS
Unit Qty:	1
Glass Divider	
Glass Thickness	5/8" Insulated
Glass Pattern	xxxx
Finish	Unfinish
	xxxx
Revision	ORIGINAL
Tolerance +/- 1/4 "	

Customer Signature